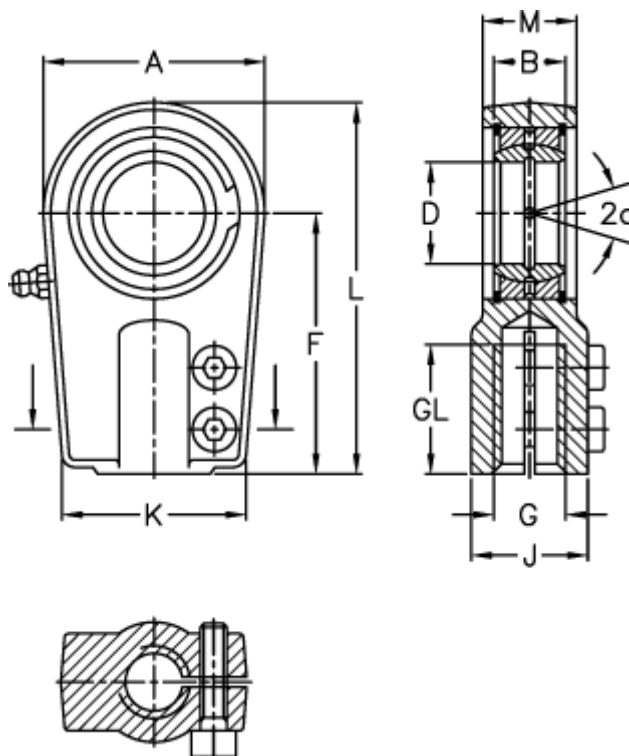


Article number: 03554060

Description: Fluro hydraulic rod end FMA 60D

Measures



A	= 130	J	= 87
a (degrees)	= 7	K	= 118
B	= 44	L	= 240
D	= 60	M	= 50
Dynamic load C (kN)	= 345	Static load C0 (kN)	= 539
F	= 170	Torque (N m)	= 160
g	= M64x3	Weight	= 6500
GL	= 95		